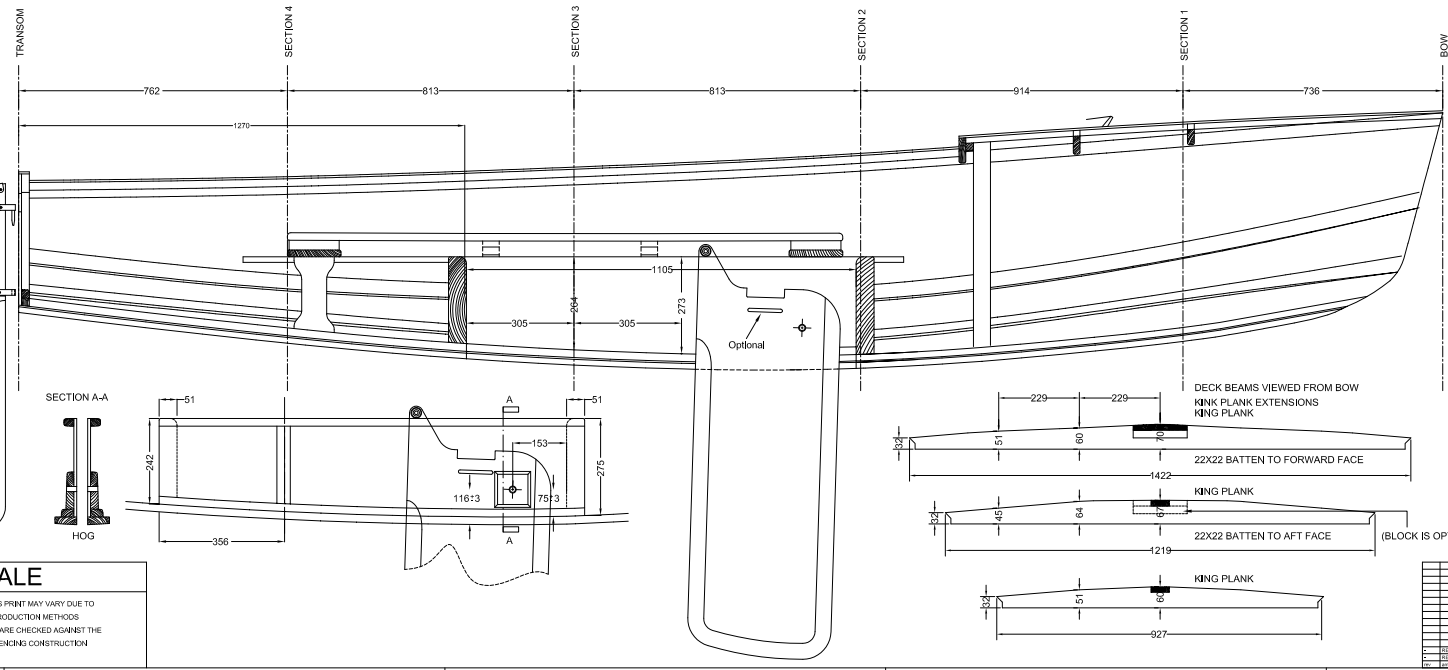
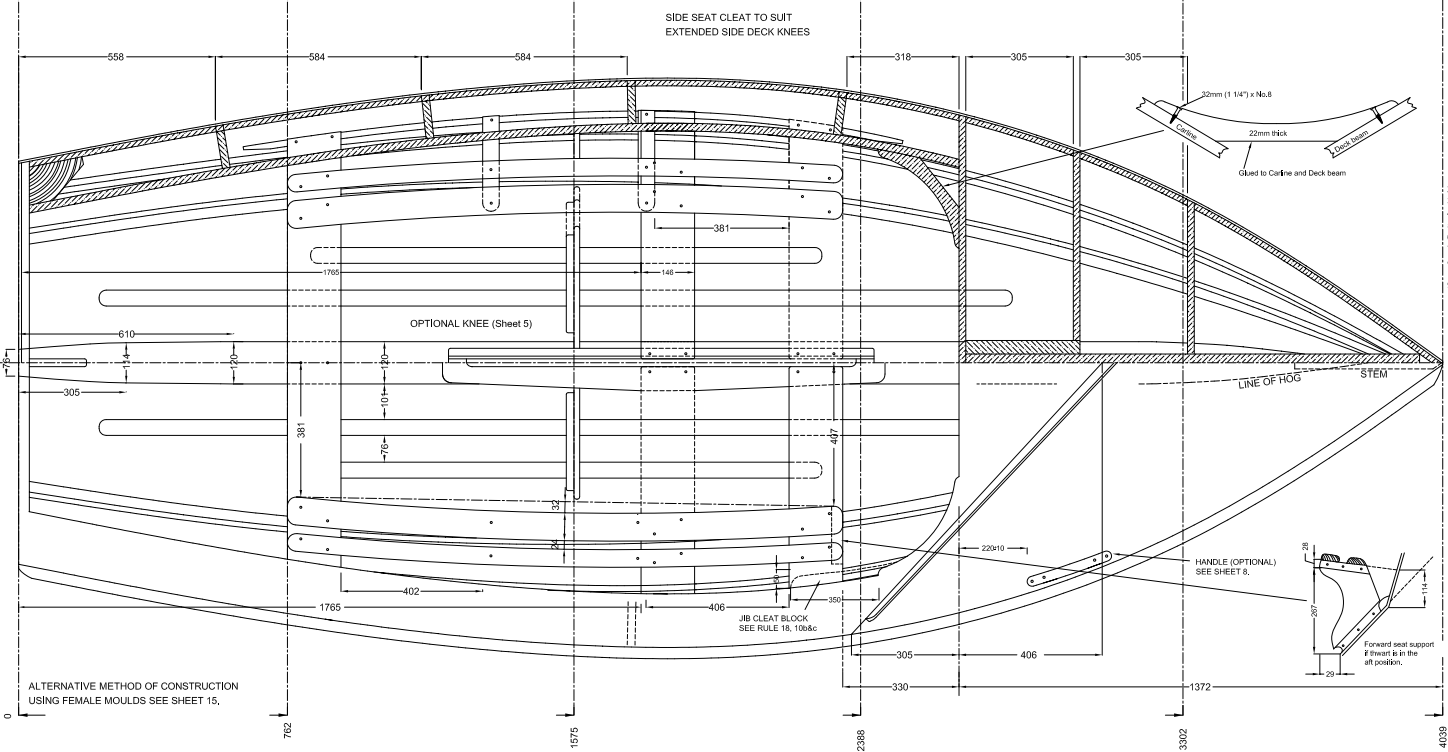


ABOVE C/L PLAN SHOWING EXTENDED SIDE DECK SUPPORT KNEE WITH DECKING IN PLACE
 BELOW C/L PLAN SHOWING SHORT SIDE DECK SUPPORT KNEE WITH DECKING IN PLACE



INTERNATIONAL ENTERPRISE CLASS RULE No.1
 OBJECT OF THE CLASS RULES
 This is a one design class. The Rules, Plans, and Specifications are intended to ensure that in the hull form, weight, scantlings, and colour, deck plan, the boats are as nearly alike as possible with variations in cockpit layout and fittings as alternatives on lists and plans. All boats shall be built according to the plans and rules in all respects.

LIST OF SHEETS

No	Size	Scale	Description
1	A0	1:5	ORIGINAL TIMBER HULL - GENERAL ARRANGEMENT PLAN WITH FORWARD THWART SHOWN IN BOTH FORWARD AND AFT POSITION
1A	A1	1:10	ORIGINAL TIMBER HULL - SETTING UP MOULDS
2	S	1:1	ORIGINAL TIMBER HULL - STEM, HOG, KEEL, etc.
3	A0	1:5	ORIGINAL TIMBER HULL - TRANSOM
4	S	1:1	ORIGINAL TIMBER HULL - SECTIONS 1 & 2
5	S	1:1	ORIGINAL TIMBER HULL - SECTIONS 3 & 4
6	S	1:1	RUDDER
7	S	1:1	CENTRE BOARD
8	A0	1:1	ORIGINAL TIMBER HULL - WOODEN MAST AND BOOM, FITTINGS, AND RIGGING
9	A0	1:10	SAILPLAN - CRITICAL DIMENSIONS
10	A0	1:5	BUILT-IN BUOYANCY PLAN & CONVERSION FOR EXISTING BOATS
11	A0	1:5	G.R.P. HULL - DETAILS
13	A0	1:5	COMPOSITE CONSTRUCTION - G.R.P. HULL WOOD DECKING
14	A0	1:5	G.R.P. II HULL - DETAILS
15	A0	1:5	ALTERNATIVE CONSTRUCTION WOODEN HULL USING FEMALE MOULD
15A	A0	1:10	SETTING UP FEMALE MOULDS
16	A0	1:5	F.R.P. BOAT DETAILS

SHEET SIZES OVER REGISTER MARKS

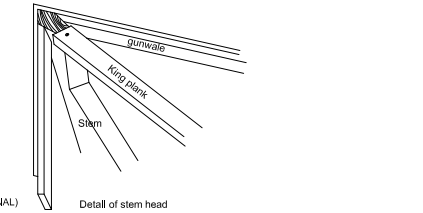
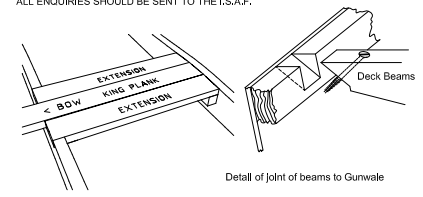
Size	W	H
A0	1189	841
A1	841	594
S	1700	841
U	MISCELLANEOUS, SPECIFIC TO DRAWING	

NOTES
 DO NOT SCALE FROM THESE DRAWINGS
 READ THE DRAWINGS IN CONJUNCTION WITH
 I CURRENT MEASUREMENT FORM
 II CURRENT CLASS RULES
 III I.S.A.F. CUTTING LIST

INTERNATIONAL CLASS ADMINISTRATION FEE
 (BUILDING FEE) CURRENT FEE MUST BE PAID TO THE I.S.A.F. INTERNATIONAL SAILING FEDERATION
 ARIADNE HOUSE, TOWN QUAY, SOUTHAMPTON, SO14 2AQ
 IN RESPECT OF EACH BOAT, PART BUILT BOAT OR KIT OF PARTS AS SOON AS THE KEEL IS LAID

REGISTERED NUMBER
 THE NAME AND ADDRESS OF THE OWNER MUST BE SENT WITH THE REGISTERED NUMBER OF THE BOAT AS ISSUED BY I.S.A.F.

COPYRIGHT (c)
 THE PLANS MUST NOT BE COPIED
 THE COPYRIGHT FOR THE INTERNATIONAL ENTERPRISE SAILING DINGHY PLANS IS HELD BY INTERNATIONAL SAILING FEDERATION
 ALL ENQUIRIES SHOULD BE SENT TO THE I.S.A.F.



DO NOT SCALE
 THE DIMENSIONAL ACCURACY OF THIS PRINT MAY VARY DUE TO ATMOSPHERIC CONDITIONS AND REPRODUCTION METHODS
 IT IS RECOMMENDED THAT FORMERS ARE CHECKED AGAINST THE MEASUREMENT FORM BEFORE COMMENCING CONSTRUCTION

REV	DESCRIPTION	DATE	BY	CHECKED
1	ISSUED FOR CONSTRUCTION	2008-03-20	JH	JH
2	REVISION	2008-03-20	JH	JH
3	REVISION	2008-03-20	JH	JH
4	REVISION	2008-03-20	JH	JH
5	REVISION	2008-03-20	JH	JH

INTERNATIONAL SAILING FEDERATION
 ARIADNE HOUSE, TOWN QUAY, SOUTHAMPTON, SO14 2AQ
INTERNATIONAL ENTERPRISE
 Designer - Jack Holt
 ONE FIFTH FULL SIZE (1:5) SHEET 1 OF 16
 GENERAL ARRANGEMENT PLAN AND SECTION OF WOODEN HULL WITH FORWARD THWART SHOWN IN BOTH FORWARD AND AFT POSITION