

Bristol Corinthian Yacht Club

Cheddar Reservoir

Standard Open Meeting Courses

Tel 01934 732033

March 2005/KCF

Course 1 (Numeral Pennant 1)

Starting Line

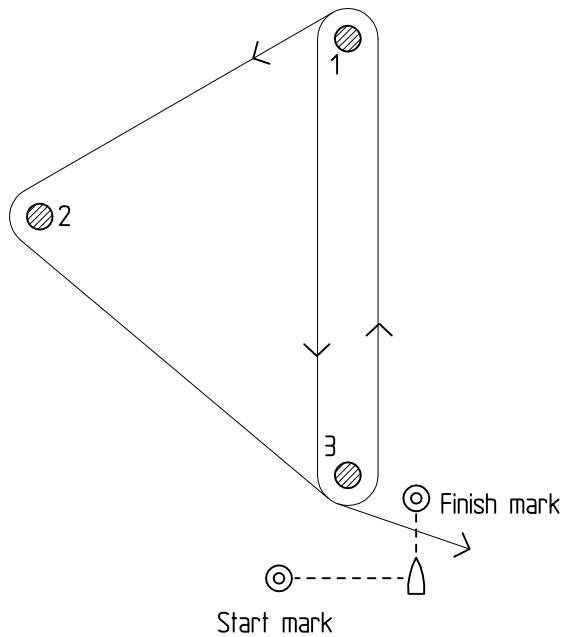
Odd laps: 1, 2, 3

Even laps: 1, 3

Finish

● Course marks.

⊙ Start & finish marks.



Course 2 (Numeral Pennant 2)

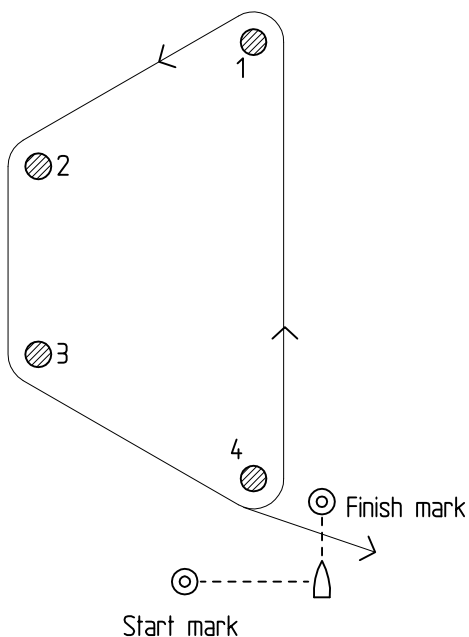
Starting Line

All laps: 1, 2, 3, 4

Finish

● Course marks.

⊙ Start & finish marks.



Course 3 (Numeral Pennant 3)

Starting Line

All laps: 1, 2, 3, 4

Finish

● Course marks.

⊙ Start & finish marks.

